
Product: Texo Connector NW (50)



Material:

Texo Connector NW (50) is a semi flexible sound attenuator consists of Non-Woven anti-bacterial flexible inner duct and provided with a laminated aluminium and polyester outer jacket. The space between the inner and outer duct is filled with 25 or 50 mm sound absorbing material. The duct is standard fitted with stainless steel caps on both ends. Caps are used for easy connection to any rigid ductwork, pipes and fittings.

Application:

Texo Connector NW (50) is designed for air conditioning systems, ventilation systems and machine noise reduction. Resolves the problems of measures inaccuracy and saves the time of installation and material.

Product construction:

The product Flexible duct „Texo Connector NW (50)“ include the following components:

- Inner core: 1 Layer of Non-Woven anti-bacterial fabric
- Insulation: a glass wool with 25 or 50 mm thick and 16 kg/m³ density
- Outer core: Multilayer of Aluminum and Polyester
- Stainless steel caps
- PVC rings
- Aluminium tape

Properties:

Good flexibility
Good compression

Specification:

Product code: given in the table bellow,
Diameters: from 80 mm to 315 mm,
Standard lengths: 0.5 m, 1 m and 1.5 m.

PRODUCT TECHNICAL SPECIFICATION

Sound attenuation:

Insulation 25 mm									
\varnothing (mm)	L (mm)	Insertion loss D_i (dB)							
		63 Hz	125 Hz	250 Hz	500 Hz	1000 Hz	2000 Hz	4000 Hz	8000 Hz
100	500	12	14	20	22	23	24	31	21
125	500	8	6	11	22	23	27	31	19
160	500	6	7	9	21	22	25	30	18
200	500	1	3	5	17	18	25	19	13
250	500	3	6	10	13	13	15	11	12
315	500	2	4	11	12	12	11	7	8
406	500	3	5	9	8	10	6	3	1
MU (dB)		3	2	2	2	4	6	6	6

Insulation 25 mm									
\varnothing (mm)	L (mm)	Insertion loss D_i (dB)							
		63 Hz	125 Hz	250 Hz	500 Hz	1000 Hz	2000 Hz	4000 Hz	8000 Hz
100	1000	13	17	28	35	34	38	44	22
125	1000	11	12	30	25	26	30	40	24
160	1000	7	16	30	23	24	30	34	22
200	1000	3	7	29	23	22	28	29	17
250	1000	3	12	20	19	19	24	17	16
315	1000	4	17	18	16	17	20	12	10
406	1000	5	12	15	13	17	12	6	3
MU (dB)		3	2	2	2	4	6	6	6

PRODUCT TECHNICAL SPECIFICATION

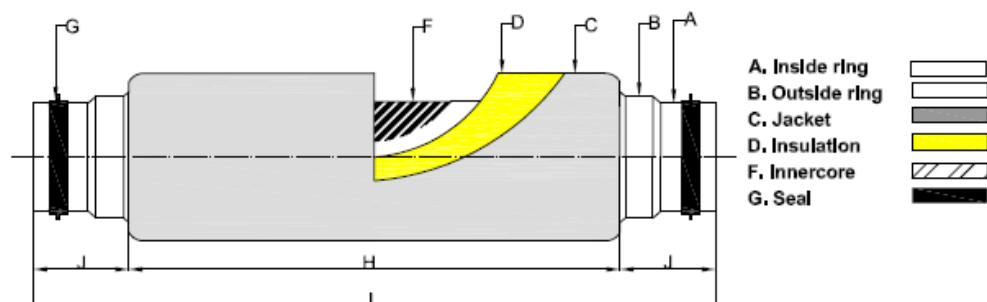
Insulation 25 mm									
Ø (mm)	L (mm)	Insertion loss D_i (dB)							
		63 Hz	125 Hz	250 Hz	500 Hz	1000 Hz	2000 Hz	4000 Hz	8000 Hz
100	2000	16	18	22	25	28	26	31	22
125	2000	15	15	23	27	30	29	32	25
160	2000	14	17	20	26	29	28	36	27
200	2000	7	10	17	27	29	29	38	24
250	2000	4	10	20	24	25	27	29	19
315	2000	6	14	20	20	21	26	19	14
406	2000	10	19	16	16	20	19	10	6
MU (dB)		3	2	2	2	4	6	6	6

Insulation 25 mm									
Ø (mm)	L (mm)	Insertion loss D_i (dB)							
		63 Hz	125 Hz	250 Hz	500 Hz	1000 Hz	2000 Hz	4000 Hz	8000 Hz
100	3000	16	17	23	25	30	28	32	22
125	3000	14	17	22	25	28	29	32	25
160	3000	22	21	23	25	30	29	37	28
200	3000	12	15	22	25	27	30	40	28
250	3000	7	15	21	23	27	28	36	23
315	3000	10	20	20	20	23	28	27	15
406	3000	12	22	17	18	23	22	15	6
MU (dB)		3	2	2	2	4	6	6	6

Assembling info:

Length L: $L = H + 2xJ$
 Length H: Insulation length: 0.5; 1.0; 1.5 m ; Tolerance length: $-0 +0,02$ m
 Length J: 80 mm

MM
Male - Male



PRODUCT TECHNICAL SPECIFICATION

Table: Ordering information

Product code	Product name	Glasswool thickness	Diam.	Length	Pallet dim.	Pcs. per box	Box per pall.
		mm	mm	m	cm		
CN1NW080/0.5	Texo Connector MM Non Woven - dia.080 mm x 0,5 m	25	80	0.5	80x120	1	168
CN1NW100/0.5	Texo Connector MM Non Woven - dia.100 mm x 0,5 m	25	100	0.5	80x120	1	168
CN1NW125/0.5	Texo Connector MM Non Woven - dia.125 mm x 0,5 m	25	125	0.5	80x120	1	168
CN1NW150/0.5	Texo Connector MM Non Woven - dia.150 mm x 0,5 m	25	150	0.5	80x120	1	100
CN1NW160/0.5	Texo Connector MM Non Woven - dia.160 mm x 0,5 m	25	160	0.5	80x120	1	100
CN1NW180/0.5	Texo Connector MM Non Woven - dia.180 mm x 0,5 m	25	180	0.5	80x120	1	72
CN1NW200/0.5	Texo Connector MM Non Woven - dia.200 mm x 0,5 m	25	200	0.5	80x120	1	64
CN1NW250/0.5	Texo Connector MM Non Woven - dia.250 mm x 0,5 m	25	250	0.5	80x120	1	36
CN1NW315/0.5	Texo Connector MM Non Woven - dia.315 mm x 0,5 m	25	315	0.5	80x120	1	30
CN1NW080/1.0	Texo Connector MM Non Woven - dia.080 mm x 1,0 m	25	80	1	80x120	1	108
CN1NW100/1.0	Texo Connector MM Non Woven - dia.100 mm x 1,0 m	25	100	1	80x120	1	108
CN1NW125/1.0	Texo Connector MM Non Woven - dia.125 mm x 1,0 m	25	125	1	80x120	1	108
CN1NW150/1.0	Texo Connector MM Non Woven - dia.150 mm x 1,0 m	25	150	1	80x120	1	70
CN1NW160/1.0	Texo Connector MM Non Woven - dia.160 mm x 1,0 m	25	160	1	80x120	1	70
CN1NW180/1.0	Texo Connector MM Non Woven - dia.180 mm x 1,0 m	25	180	1	80x120	1	63
CN1NW200/1.0	Texo Connector MM Non Woven - dia.200 mm x 1,0 m	25	200	1	80x120	1	48
CN1NW250/1.0	Texo Connector MM Non Woven - dia.250 mm x 1,0 m	25	250	1	80x120	1	30
CN1NW315/1.0	Texo Connector MM Non Woven - dia.315 mm x 1,0 m	25	315	1	80x120	1	20
CN1NW080/1.5	Texo Connector MM Non Woven - dia.080 mm x 1,5 m	25	80	1.5	80x120	1	108
CN1NW100/1.5	Texo Connector MM Non Woven - dia.100 mm x 1,5 m	25	100	1.5	80x120	1	108
CN1NW125/1.5	Texo Connector MM Non Woven - dia.125 mm x 1,5 m	25	125	1.5	80x120	1	108
CN1NW150/1.5	Texo Connector MM Non Woven - dia.150 mm x 1,5 m	25	150	1.5	80x120	1	70
CN1NW160/1.5	Texo Connector MM Non Woven - dia.160 mm x 1,5 m	25	160	1.5	80x120	1	70
CN1NW180/1.5	Texo Connector MM Non Woven - dia.180 mm x 1,5 m	25	180	1.5	80x120	1	63
CN1NW200/1.5	Texo Connector MM Non Woven - dia.200 mm x 1,5 m	25	200	1.5	80x120	1	48
CN1NW250/1.5	Texo Connector MM Non Woven - dia.250 mm x 1,5 m	25	250	1.5	80x120	1	30
CN1NW315/1.5	Texo Connector MM Non Woven - dia.315 mm x 1,5 m	25	315	1.5	80x120	1	15

PRODUCT TECHNICAL SPECIFICATION



Product code	Product name	Glasswool thickness	Diam.	Length	Pallette dim.	Pcs. per box	Box per pall.
		mm	mm	m	cm		
CN15NW080/0.5	Texo Connector MM Non Woven 50 - dia.080 mm x 0,5 m	50	80	0.5	80x120	1	132
CN15NW100/0.5	Texo Connector MM Non Woven 50 - dia.100 mm x 0,5 m	50	100	0.5	80x120	1	100
CN15NW125/0.5	Texo Connector MM Non Woven 50 - dia.125 mm x 0,5 m	50	125	0.5	80x120	1	100
CN15NW150/0.5	Texo Connector MM Non Woven 50 - dia.150 mm x 0,5 m	50	150	0.5	80x120	1	64
CN15NW160/0.5	Texo Connector MM Non Woven 50 - dia.160 mm x 0,5 m	50	160	0.5	80x120	1	64
CN15NW180/0.5	Texo Connector MM Non Woven 50 - dia.180 mm x 0,5 m	50	180	0.5	80x120	1	36
CN15NW200/0.5	Texo Connector MM Non Woven 50 - dia.200 mm x 0,5 m	50	200	0.5	80x120	1	36
CN15NW250/0.5	Texo Connector MM Non Woven 50 - dia.250 mm x 0,5 m	50	250	0.5	80x120	1	30
CN15NW315/0.5	Texo Connector MM Non Woven 50 - dia.315 mm x 0,5 m	50	315	0.5	80x120	1	20
CN15NW080/1.0	Texo Connector MM Non Woven 50 - dia.080 mm x 1,0 m	50	80	1	80x120	1	88
CN15NW100/1.0	Texo Connector MM Non Woven 50 - dia.100 mm x 1,0 m	50	100	1	80x120	1	70
CN15NW125/1.0	Texo Connector MM Non Woven 50 - dia.125 mm x 1,0 m	50	125	1	80x120	1	70
CN15NW150/1.0	Texo Connector MM Non Woven 50 - dia.150 mm x 1,0 m	50	150	1	80x120	1	48
CN15NW160/1.0	Texo Connector MM Non Woven 50 - dia.160 mm x 1,0 m	50	160	1	80x120	1	48
CN15NW180/1.0	Texo Connector MM Non Woven 50 - dia.180 mm x 1,0 m	50	180	1	80x120	1	30
CN15NW200/1.0	Texo Connector MM Non Woven 50 - dia.200 mm x 1,0 m	50	200	1	80x120	1	30
CN15NW250/1.0	Texo Connector MM Non Woven 50 - dia.250 mm x 1,0 m	50	250	1	80x120	1	15
CN15NW315/1.0	Texo Connector MM Non Woven 50 - dia.315 mm x 1,0 m	50	315	1	80x120	1	10
CN15NW080/1.5	Texo Connector MM Non Woven 50 - dia.080 mm x 1,5 m	50	80	1.5	80x120	1	88
CN15NW100/1.5	Texo Connector MM Non Woven 50 - dia.100 mm x 1,5 m	50	100	1.5	80x120	1	70
CN15NW125/1.5	Texo Connector MM Non Woven 50 - dia.125 mm x 1,5 m	50	125	1.5	80x120	1	70
CN15NW150/1.5	Texo Connector MM Non Woven 50 - dia.150 mm x 1,5 m	50	150	1.5	80x120	1	48
CN15NW160/1.5	Texo Connector MM Non Woven 50 - dia.160 mm x 1,5 m	50	160	1.5	80x120	1	48
CN15NW180/1.5	Texo Connector MM Non Woven 50 - dia.180 mm x 1,5 m	50	180	1.5	80x120	1	30
CN15NW200/1.5	Texo Connector MM Non Woven 50 - dia.200 mm x 1,5 m	50	200	1.5	80x120	1	30
CN15NW250/1.5	Texo Connector MM Non Woven 50 - dia.250 mm x 1,5 m	50	250	1.5	80x120	1	15
CN15NW315/1.5	Texo Connector MM Non Woven 50 - dia.315 mm x 1,5 m	50	315	1.5	80x120	1	10