



Nordic CL 2/3/4

ART.NO. 800200, 800201, 800210, 800211 800220, 800221

EN

USER MANUAL

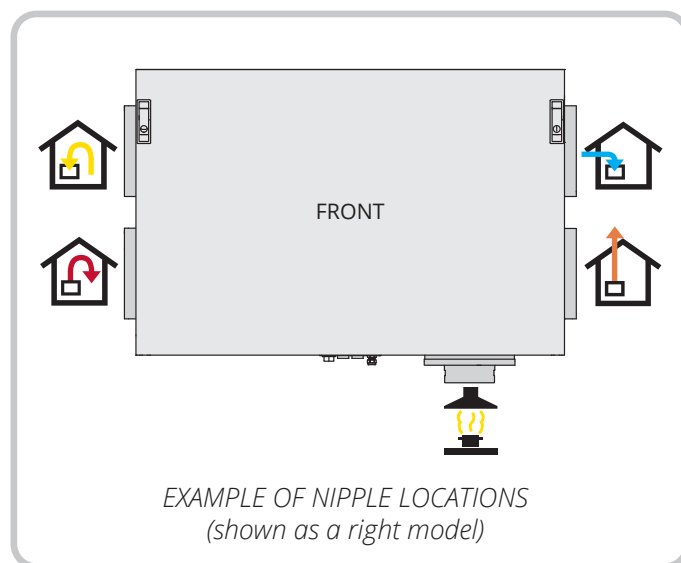
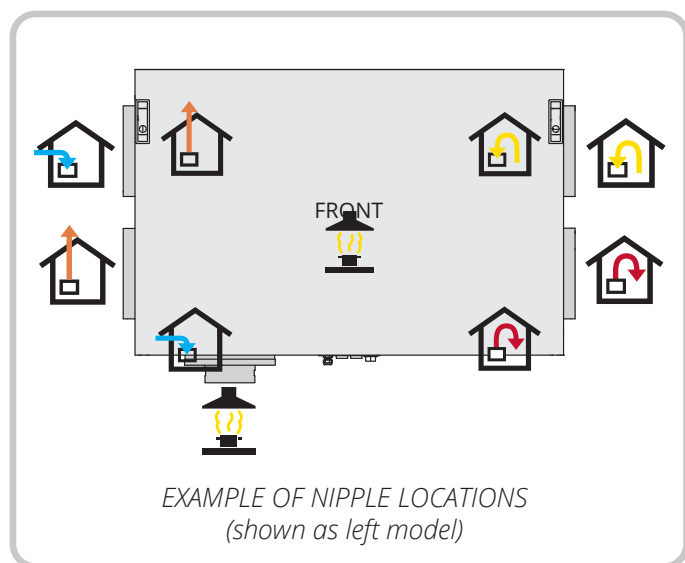
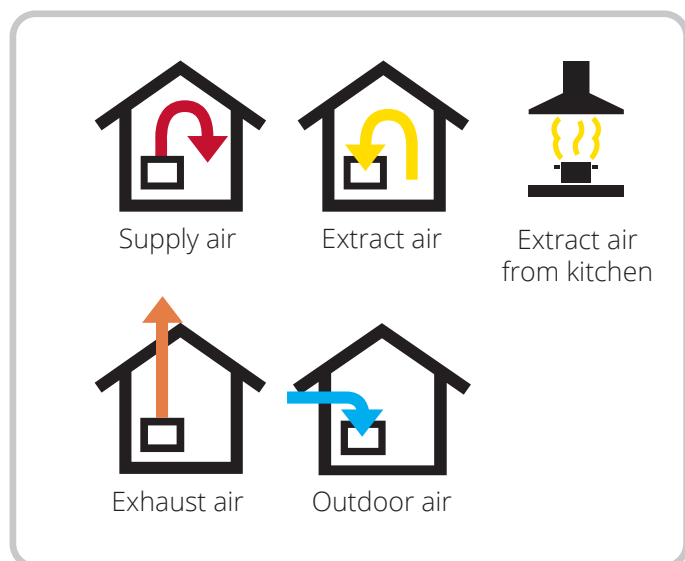
Air handling unit


Contents


1.	Automatic control.....	6
2.	Functional description of balanced ventilation	7
2.1.	Fans (M1, M2).....	7
2.2.	Filters (FI1, FI2)	7
2.3.	Rotor (HR-R).....	7
2.4.	Heating element (EB1)	7
2.5.	Temperature sensors (B1, B4)	7
2.6.	For use with dampers	7
2.6.1.	Damper (DA1).....	7
2.6.2.	Damper (DA2).....	7
3.	Operating the door	8
3.1.	Lock	8
3.2.	Removing the door	9
4.	Cleaning and maintenance	10
4.1.	Cleaning the fans	10
4.2.	Changing the filters	12
4.3.	Changing the brush strips	13
4.4.	Tightening the rotor belt for CL2	15
4.5.	Cleaning the rotor	16
4.6.	External cleaning	16
5.	Maintenance table	17
6.	Troubleshooting	18
7.	Complaints	19
8.	Disposal	19
9.	CE Declaration of Conformity	19


Symbols used


These products bear a number of symbols used for labelling the actual product and in installation and user documentation.



 **DANGER!** When a text box is this colour, it means that a life-threatening or serious personal injury may be the consequence of not following the instructions.

 **NOTICE!** When a text box is this colour, it means that a poor utilisation ratio or product operating issues may be the consequence of not following the instructions.

 **CAUTION!** When a text box is this colour, it means that material damage may be the consequence of not following the instructions.

 **INFO!** When a text box is this colour, it means that it contains important information.



SAFETY INSTRUCTIONS



- To avoid the risk of fire, electric shock or injury, read all the safety instructions and warning texts before using the unit.
- All electrical connections must be carried out by qualified electricians.
- If the power lead is damaged, it must be replaced by the manufacturer, the manufacturer's service agent or a similarly qualified person.
- The unit must not be used to extract combustible or flammable gases.
- It is the installer's responsibility to carry out a full safety and function assessment of the appliance.
- Before opening the door: switch off the heat, let the fans continue for 3 minutes to remove hot air, unplug the unit and wait 2 minutes before opening the doors, as the unit contains elements that must not be touched when hot.
- This appliance may be used by children of 8 years or above or by persons with reduced sensory capacity or reduced physical or mental capacity, or by persons lacking experience or knowledge, provided they have received instruction in the safe use of the appliance or are supervised to ensure safe use and providing they are aware of the risks.
- The product is not suitable for use by children. Children must not be allowed to play with the appliance. Children must not carry out cleaning or maintenance without supervision.



- This unit is only designed for ventilation air in homes and commercial buildings.
- To maintain a good indoor climate, comply with regulations and avoid condensation damage, the unit must never be stopped apart from during service/ maintenance or in connection with an accident.
- The unit must not be operated without the filters being in place.
- All plumbing work must be carried out by an authorised plumber.
- The location of the water battery must be approved by a plumber owing to the risk of water leaks.



- Tumble dryers must not be connected to the unit.
- The room must have a separate, adequate air supply when products such as gas cookers, gas heaters, fireplaces, wood-burning stoves, oil-fired boilers, etc., are used.

1. Automatic control

These instructions only describe how to use the ventilation unit and do not go into the details of installing/using automatic control.

For more information on the automatic control system, see www.flexit.no.

Alternative user interfaces:

- **Flexit GO app (standard)**
To control the ventilation unit via a smartphone/tablet, download the app from Google Play or the App Store. See startup guide for installer (116628) and startup guide for end user (116908).
- **CI 70 control panel (accessory)**
See manual (116081).

Flexit GO app (standard)

For installer, see startup guide (116628).

For end user, see startup guide (116908).

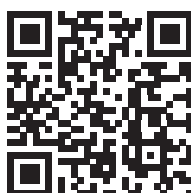


CI 70 control panel (accessory)

See manual (116081).



Google Play



App Store

2. Functional description of balanced ventilation

2.1. FANS (M1, M2)

The fans ensure that air enters and leaves the building. They can be individually adjusted for optimal operation. The unit can be regulated at three different speeds via the control panel: Home, Away, High.

2.2. FILTERS (F11, F12)

Filters with a high filter grade are used as standard for both supply air and extract air so that the air which enters the building is clean. The filters also ensure that the unit stays clean and can maintain thermal efficiency and air flow.

2.3. ROTOR (HR-R)

The air passes through the rotary wheel-type heat exchanger (recovery system). The rotor functions as a heat magazine. The heat from the extract air heats up one part of the rotor. When the heated part comes over to the supply air side, the heat is transferred to the supply air.

2.4. HEATING ELEMENT (EB1)

If the energy recovered from the extract air is insufficient to maintain the set supply air temperature, an electric heating element will help raise the temperature. The heating element is protected against overheating by the thermostat (F20) which cuts out at high temperature. For extra safety, the thermostat (F10) cuts out at critical temperatures. Thermostat F10 needs to be reset manually by pressing the reset button. See Reset button on page 18.

2.5. TEMPERATURE SENSORS (B1, B4)

As standard, the unit has four temperature sensors. The supply air sensor (B1) registers the temperature after the heating battery. The extract air sensor (B3) registers the temperature of the extract air. The outdoor air sensor (B4) registers the temperature of the outdoor air. The exhaust air sensor (B6) registers the temperature of the exhaust air.

2.6. FOR USE WITH DAMPERS

2.6.1. Damper (DA1)

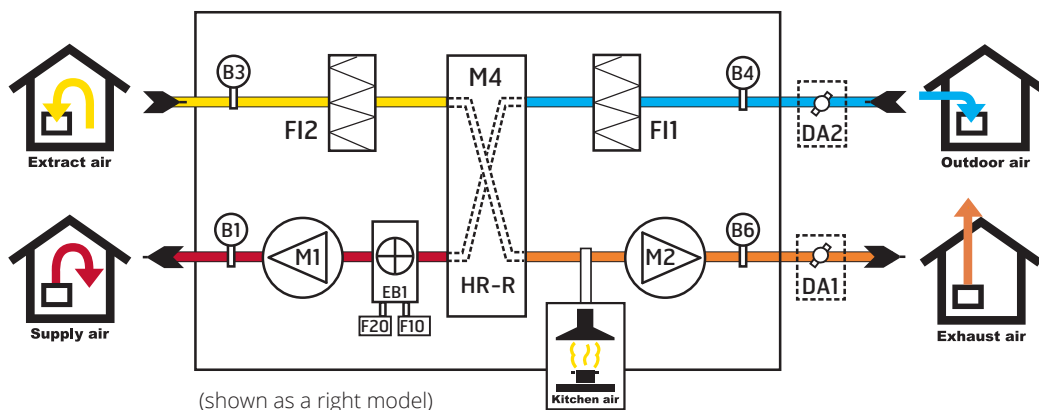
There is a closing air damper in the exhaust air duct to prevent cold draughts.

2.6.2. Damper (DA2)

There is a closing air damper in the outdoor air duct to prevent cold draughts.



Adjustment must always be carried out by qualified personnel before the installation is used for the first time.



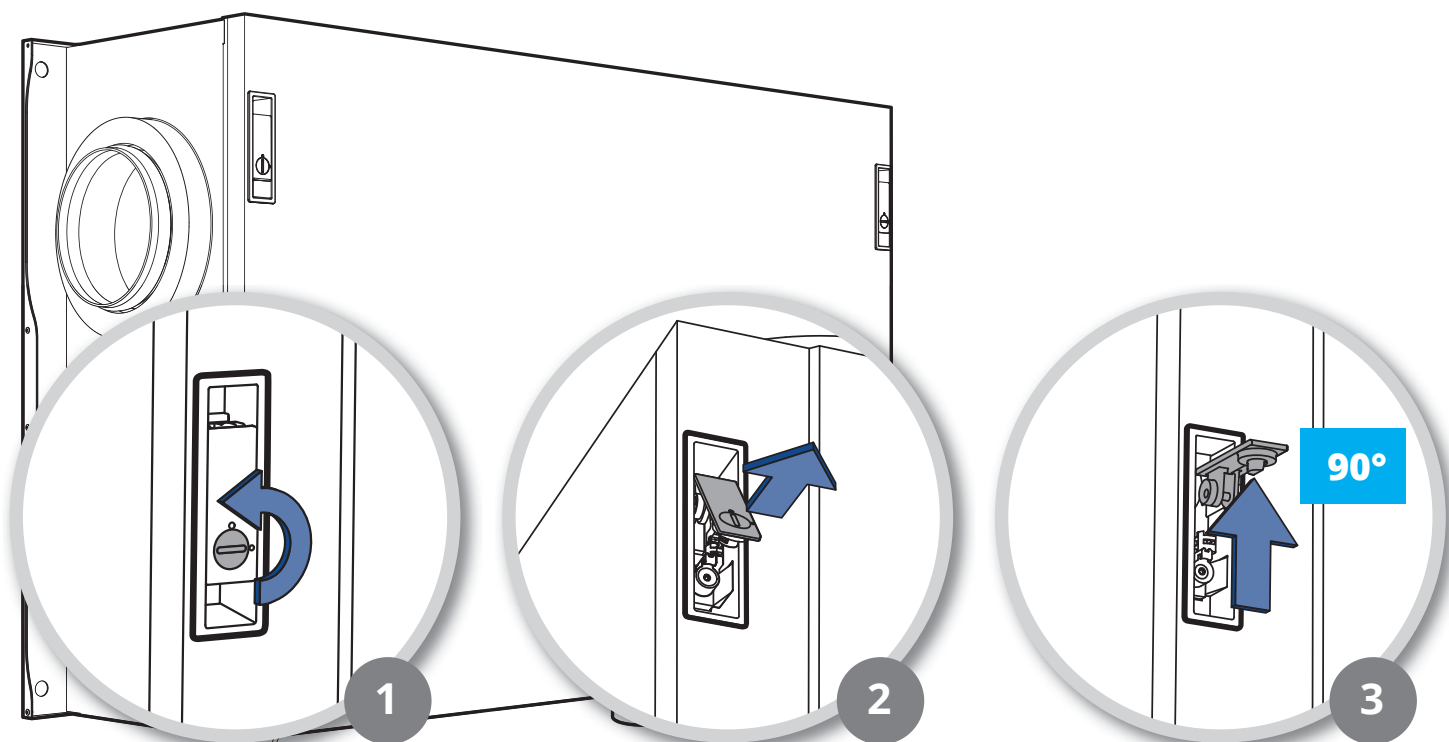
3. Operating the door

3.1. LOCK

1. Turn the screw in the lock 90°.
2. Flip up the lock handle
3. The lock handle needs to be lifted right up to release. Therefore press the lock handle right up while opening the door.



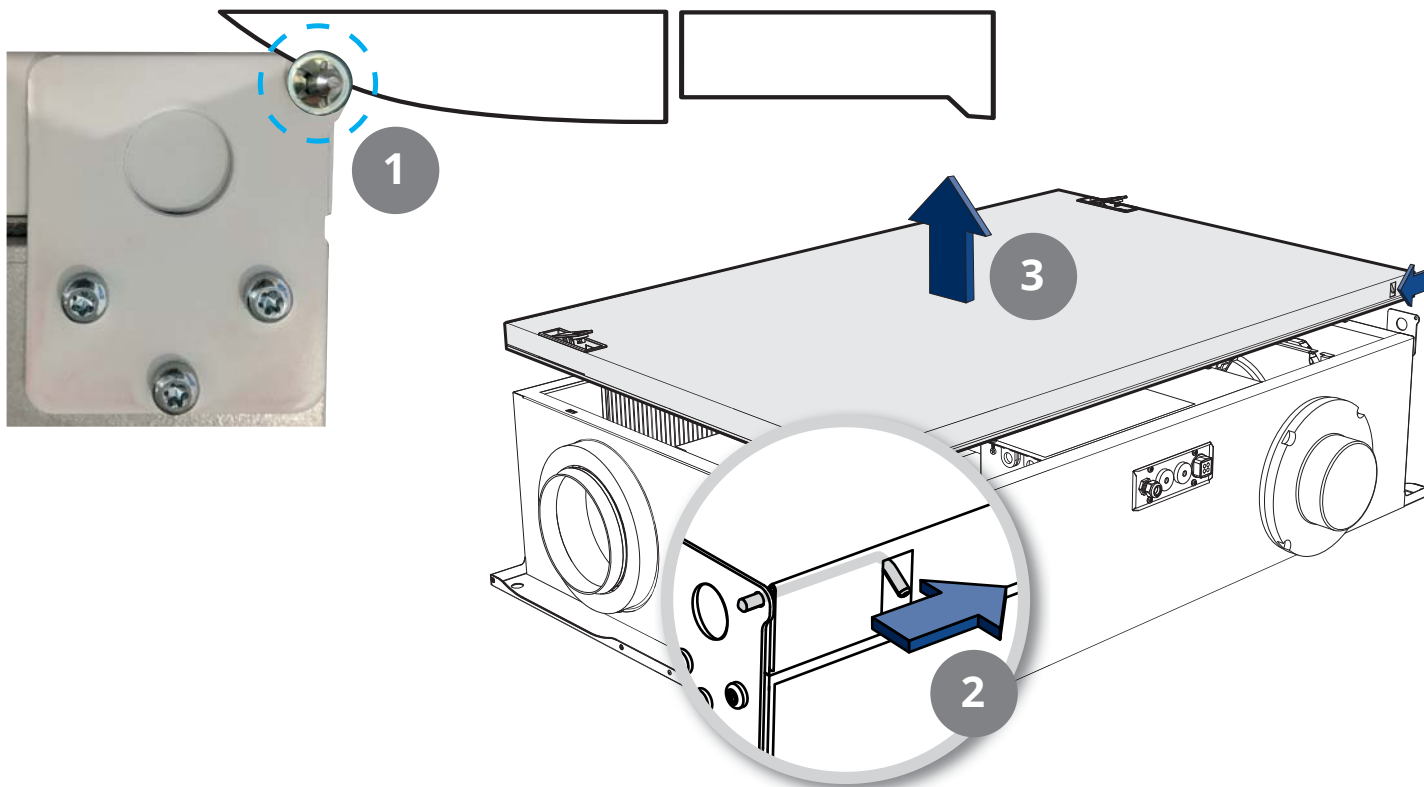
The unit types may vary in the illustrations.



3.2. REMOVING THE DOOR

In order to remove the door, the locking washer must be removed

1. Use a knife or screwdriver and bend the locking washers from the locking bolts.
2. Slide both locking bolts in towards the centre of the door while...
3. lifting the door.



FARE! Etter at døra er satt tilbake på plass, må låsebrikkene skyves på låseboltene igjen.



4. Cleaning and maintenance



Before opening the door: Turn the heat off and allow the fans to run for three minutes to remove hot air. Unplug the unit and wait two minutes before opening the door.

4.1. CLEANING THE FANS

The fan in a unit connected to a kitchen hood should be inspected once a year. For a fan in a unit that is not connected to a kitchen hood, inspection every three years is sufficient. Clean the fan blades with a grease solvent on a cloth (e.g. methylated spirits) and compressed air if possible.

NB: Take care that the motor is not exposed to water.



To avoid mixing the fans up, it is best to disconnect one fan at a time.

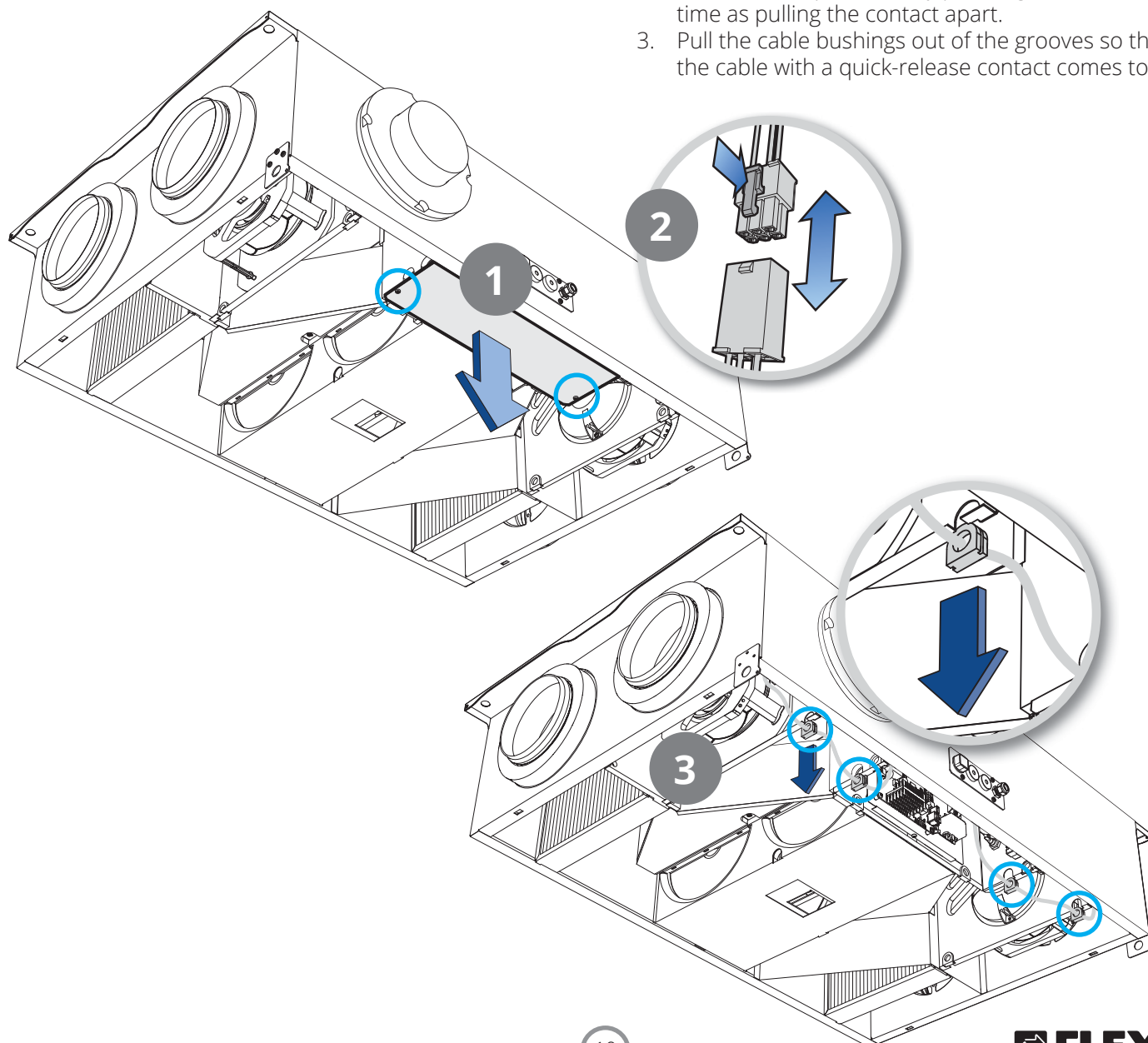


DANGER! The fan may fall out when the fastening screws are loosened.

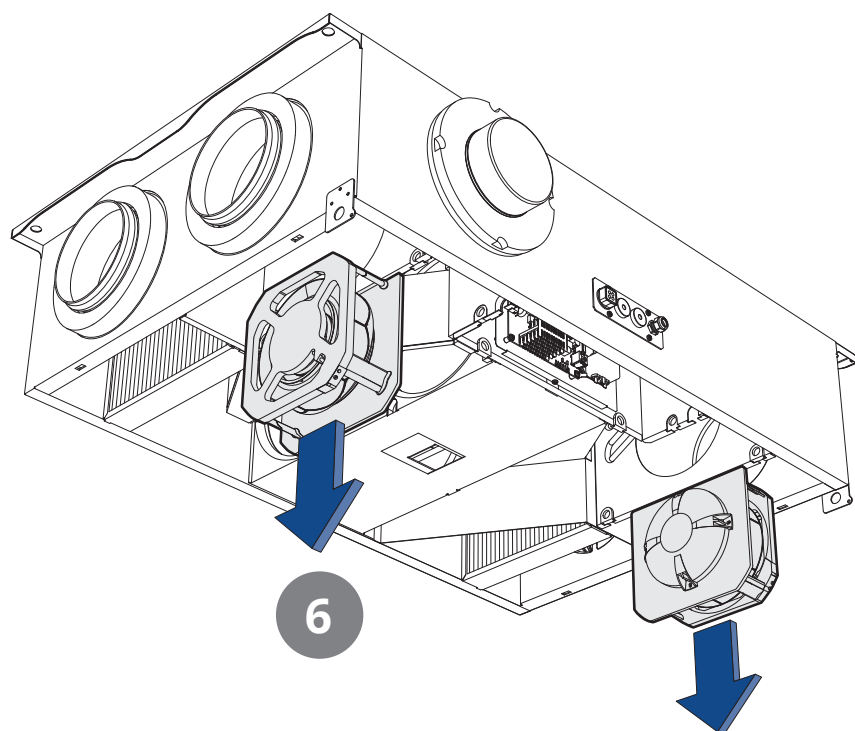
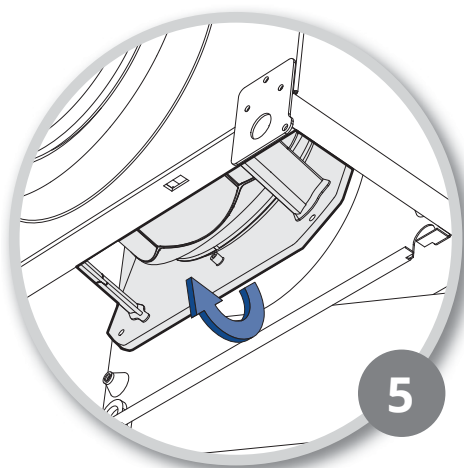
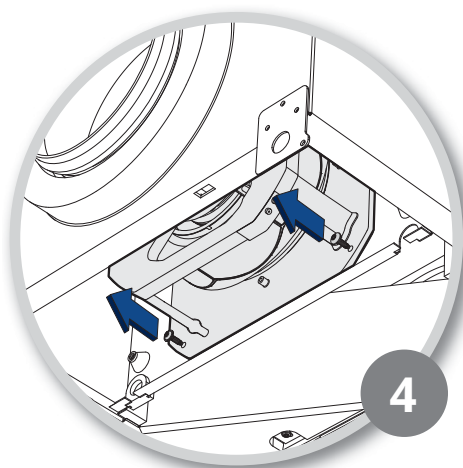
TIP: You need a T20 

To take out the fan:

1. Undo the screws in the electric cover and take the cover off.
2. Disconnect the electric quick-release contact in the electrical compartment by pressing in at the same time as pulling the contact apart.
3. Pull the cable bushings out of the grooves so that the cable with a quick-release contact comes too.



4. Undo the two screws securing the fan to the partition.
5. Turn the fan to the side so that the curved grid clears the hole.
6. Remove the fan.



4.2. CHANGING THE FILTERS

The filters have a limited life, and to preserve a healthy indoor air quality it is important to change them when they are dirty.

How often the filters need to be changed depends on the degree of contamination of the air where they are installed. In general, the filters need to be changed at least once a year, preferably in the autumn (after the pollen season). In areas with a lot of dust and contamination, the filters should be changed in the spring and autumn.

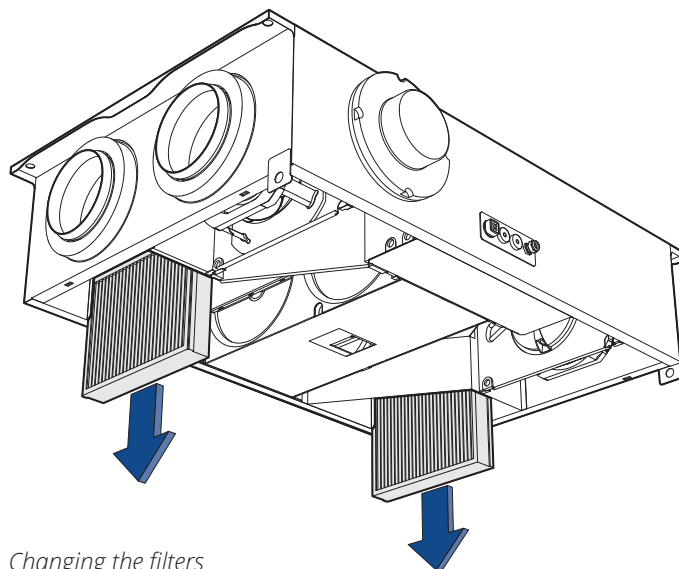
Dirty filters can, among other things, lead to:

- Reduced performance of the unit
- The unit becoming dirty
- Humidity damage
- Reduced indoor air quality


A filter subscription is recommended to ensure full benefit from the system.


Changing filters is very easy:


- Grip the filter frame and pull the filter out.
- Insert a new filter. Hold the filter's outer edge when pushing it in. The side of the filter without a gasket should face the door.



Changing the filters

 Change both filters (supply air and exhaust air) at the same time.

 Make sure that the filter is not damaged during fitting. A damaged filter reduces the unit's power and air purity.

 Check that the filter's seal is intact before inserting the filter. Then push the filter properly into place to prevent air leakage.

4.3. CHANGING THE BRUSH STRIPS


The brush strips become worn over time. If they do not lie tightly against the rotary exchanger, it may be necessary to change them.

Alternatively, they may be moved closer to the rotor, as the profile they are mounted in has two grooves.



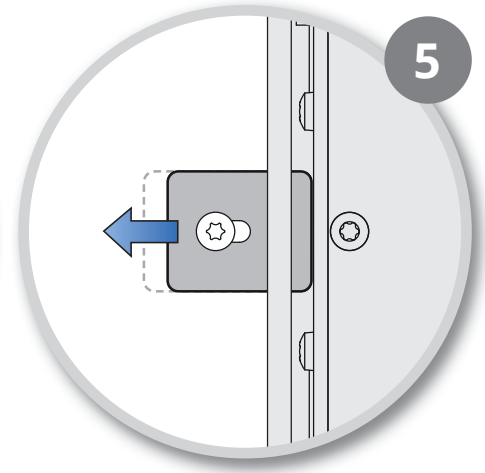
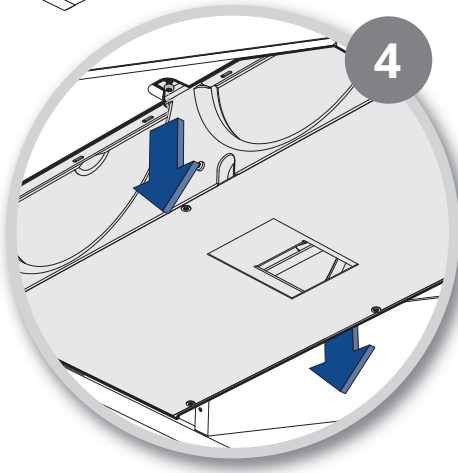
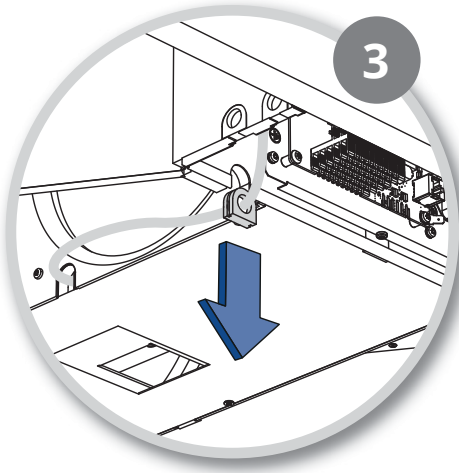
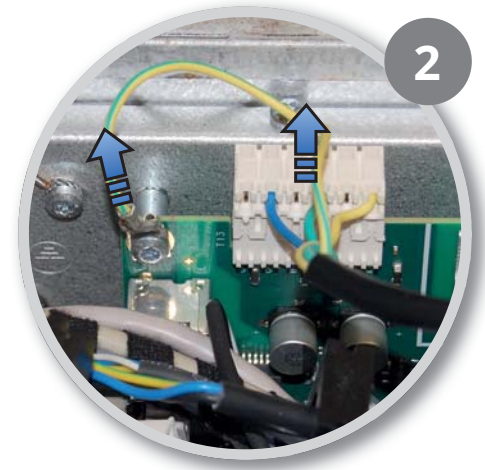
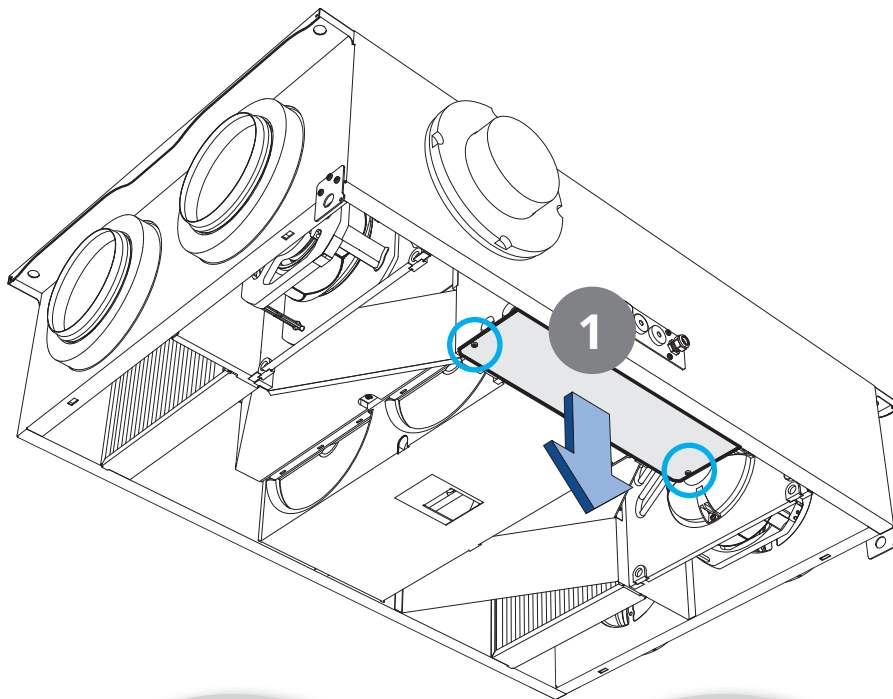
DANGER! The rotor will fall out when the brackets are loosened.

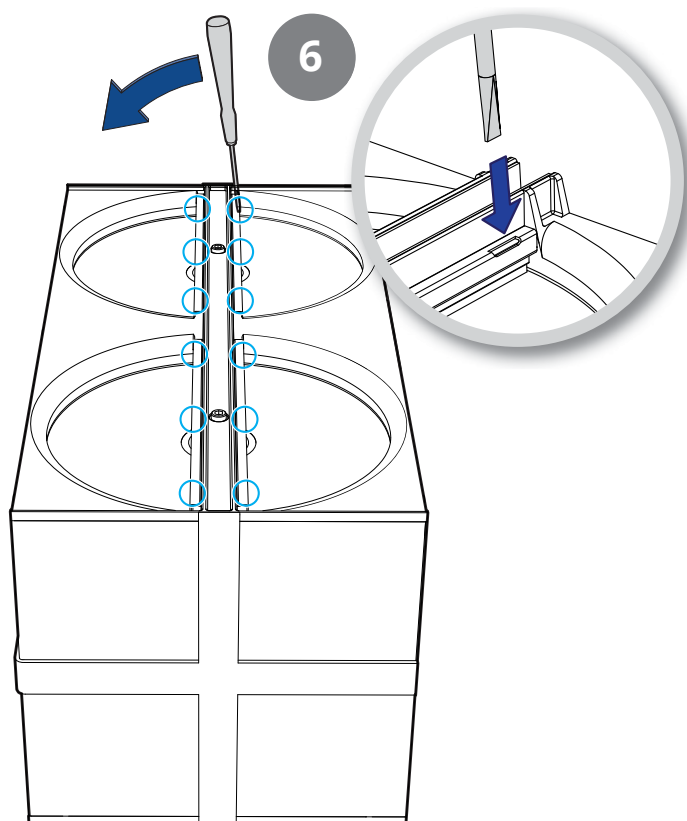
The rotor is heavy, so it is advisable to have several people to remove it from the unit and put it back again.

TIP: You need a T20 

Proceed as follows:

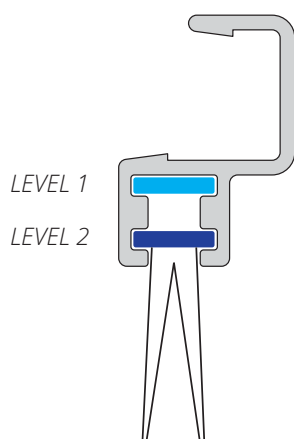
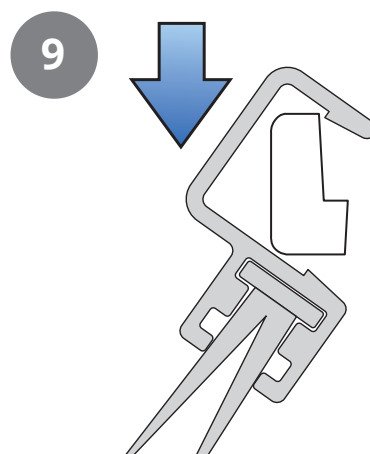
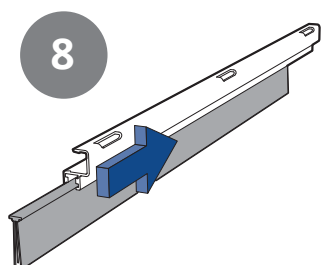
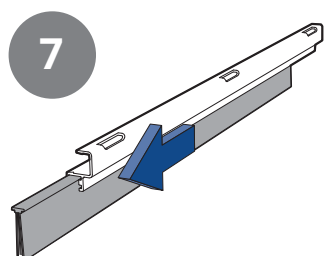
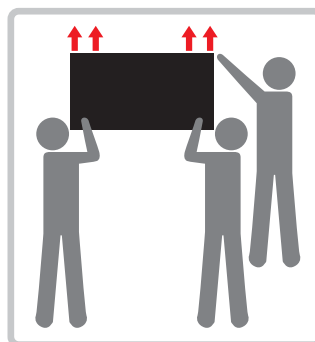
1. Undo the screws in the electric cover and take it off.
2. Disconnect the rotor's quick-release contact from the circuit board. Also pull the cable lug out to disconnect the earth on the circuit board.
3. Pull the cable bushing out of the groove so that the cable with the quick-release contact comes too.
4. Loosen the two screws on either side of the rotor.
5. Slide the washers sideways to release the rotor.





6. Pull the rotor module out and position it with the brush strip facing up.
7. Flip off the brush strip profiles with a screwdriver, for example. There are total of eight brush strips on the rotor, four on each side.
Use a broad screwdriver so you can get good purchase without bending the profile. Start at one end and continue to the other. Lift it carefully, bit by bit.
8. Pull the brush strips out of the groove.
Move the brush strips down to level 2, or replace them with new ones if they are completely worn out.
9. Press the brush strip profile back into place.

Push the rotor back into the unit. The rotor is heavy, so it is advisable to have several people to put it back.



4.4. TIGHTENING THE ROTOR BELT FOR CL2



The rotor belt can only be tightened on the rotor for CL2 (not CL3 and CL4).

Lay the rotor on its side and remove the 10 screws in the cover. **TIP:** Detach the tape carefully (see Figure 1). It has to create a seal when the cover is put back in place.

Remove the cover.

Unhook the rotor belt from the drive roller on the rotor motor.

Remove the screws (2 on each side) holding the motor in place (see Figure 2).

Create holes beside the existing holes (see Figure 3). The rotor motor can then be fixed in the new holes, thus tightening the belt.

Use the tape supplied to seal the screw holes no longer being used.

Put the cover back on and screw in the 10 screws. **NB:** Remember to press the tape against the casing so that it creates a seal (see Figure 4).

Figure 1

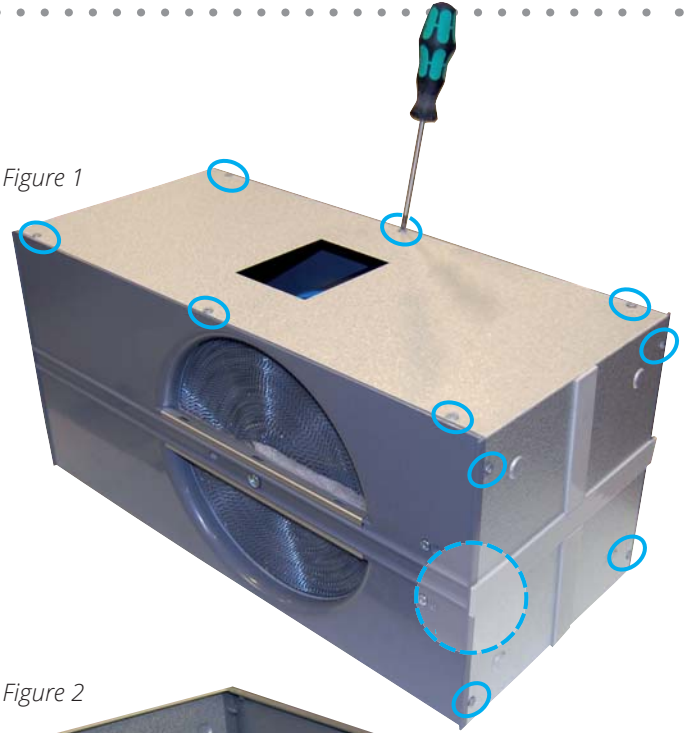


Figure 2

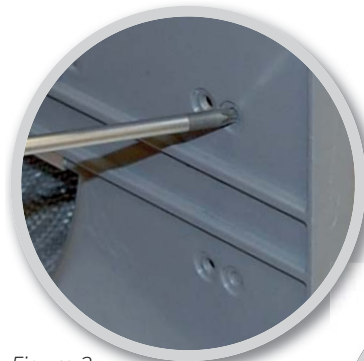
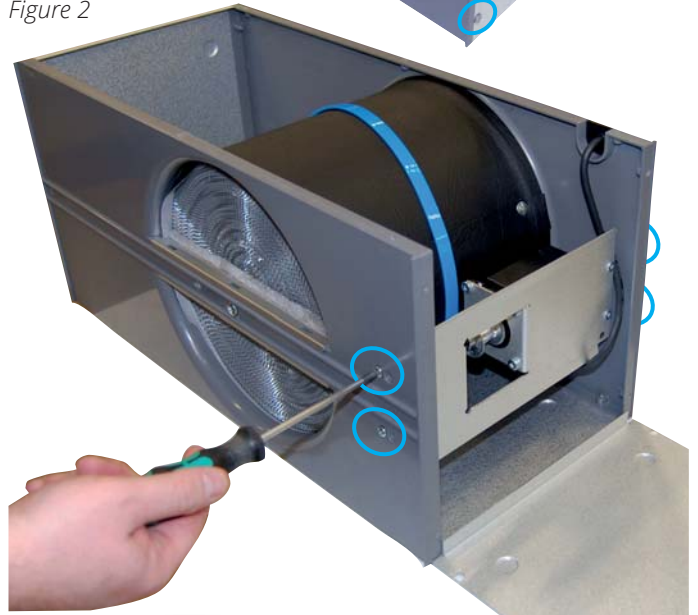


Figure 3



Figure 4

4.5. CLEANING THE ROTOR

A high-impermeability filter is installed in the unit. It is not therefore usually necessary to clean the rotor. If, for any reason, it should still be necessary, dust can be removed with a soft brush.

Further cleaning is possible by removing the rotor, spraying it with a grease solvent and then blowing it clean from the opposite side. Distance approximately 60 mm and max. pressure 8 bar.

Ensure that the motor is not exposed to water during cleaning. Ensure that all seals around the rotor are intact and tight. Ensure that there is no damage to the rotor belt, and that the rotor rotates freely.

4.6. EXTERNAL CLEANING

Many kitchen surface cleaners contain chemicals that may damage the product's plastic components. Therefore use a soft cloth moistened with warm water and a neutral detergent to clean the outside of the product.



Do not use sharp objects, powerful cleaners or scouring powder, as such products can damage the surfaces.



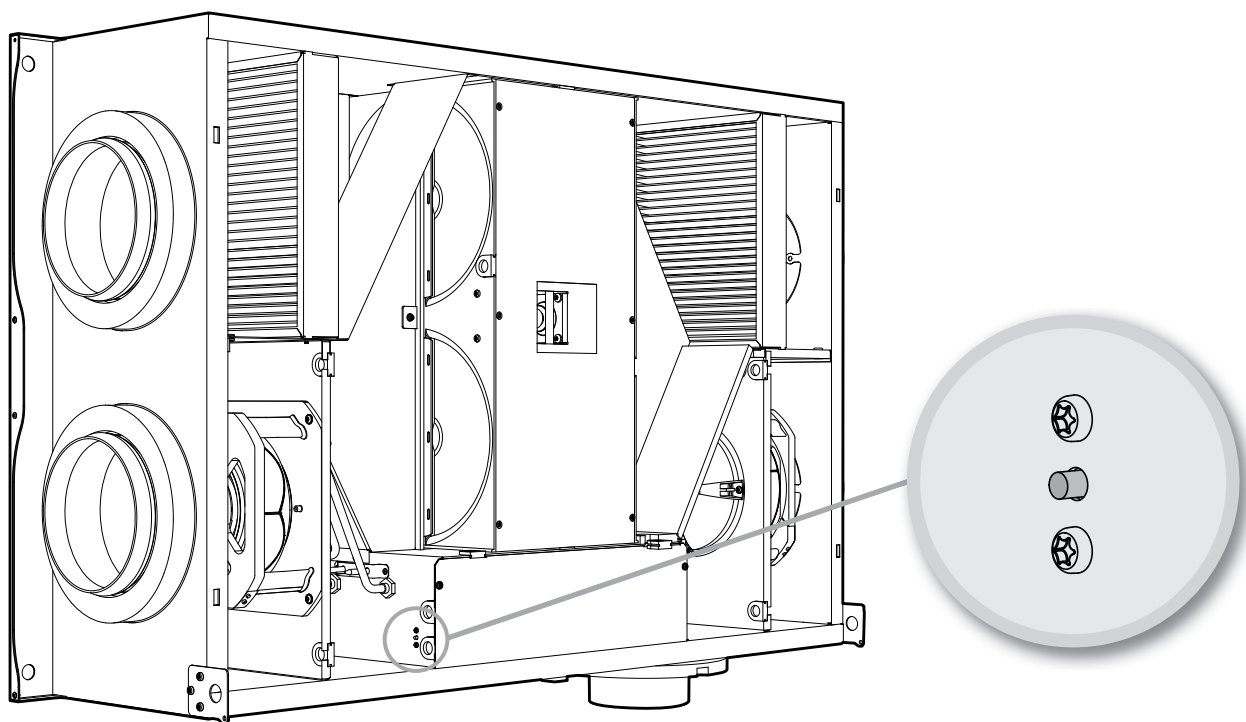
Cleaners containing ammonia or citrus must not be used. Products that give stainless steel an anti-fingerprint coating must not be used either.

5. Maintenance table

Component	Action	Interval
Filter	Filters must be changed at least once a year. It is best to do this twice a year, before and after the pollen season. Check that the filter seal is completely tight.	6-12 months
Fans	The fan in a unit connected to a kitchen hood should be inspected once a year. For a fan in a unit that is not connected to a kitchen hood, inspection every three years is sufficient. The fans should be cleaned as needed.	12 months 3 years
Recovery system	Check that the surfaces are clean. Check that the sealing strips face in towards the rotary wheel-type heat exchanger. Check that the rotor belt is intact and not too slack.	3 years
Kitchen fan	For a unit with exhaust from a kitchen fan connected: Wash the grease filter. Check that the damper is clean and closes fully.	2 weeks
Seals	Check that the seals on the door, under the filters, on the fan modules and on the rotor module are intact.	12 months
Valves	The supply air and extract air valves (for the bathroom, bedroom, laundry room, etc.) must be cleaned at least once a year.	12 months
Air intake	Check that no leaves or other items have caught in the grille. The air intake can freeze up in winter and should be checked regularly (daily if necessary). If necessary, it must be scraped clean so that the air can pass through.	12 months
Roof cowl	If the unit has a roof cowl, this must be checked for leaves and the like. Also check that the drain slots are open.	12 months
Ducts	Check that the ducts are clean.	10 years
Brush strips	Check that the brush strips are intact and sit tightly against the rotor. If they are worn, they can be moved to the next groove in the profile so that they are closer to the rotor.	3 years
Inside unit	A combination of a very low outside temperature and damp extract air can lead to the formation of ice. Normally this will not be a problem – when normal operating conditions return the ice crystals will be converted to steam and removed from the unit via the exhaust air. In the case of extreme cold over extended periods the unit should be checked for ice.	

6. Troubleshooting

Type of fault	Remedial action
Cold draughts	Check what supply air temperature has been selected. See control panel.
	Check that the rotor rotates.
	Check that heating comes on.
	New extract filter needed.
Fans not working	Check that power is connected to the unit.
	Check that the overheating thermostat has not cut out.
	Restart the overheating thermostat by pressing the button*. It also has to be reset in the app or on the control panel.
Low air flow rate	Check what speed the unit is set to.
	Check that the filters are tight.
	Check the intake grille.



(right model)

* Reset button

The thermostat (F10) has to be reset manually by pressing the reset button.

7. Complaints



Warranty claims will only be valid if the instructions in the manuals have been followed.

This product is covered by warranty in accordance with the current terms of sale, **provided that the product is used correctly and properly maintained.**

The warranty may be rendered invalid if the system is used incorrectly or maintenance is grossly neglected.

Complaints resulting from incorrect or defective installation must be submitted to the installation company responsible.

Filters are consumables.

Our products are subject to continuous development and we therefore reserve the right to make changes.

We also disclaim liability for any printing errors that may occur.

8. Disposal



The symbol on the product shows that this product must not be treated as household waste. It must be taken to a collection point for recycling electrical and electronic equipment.

By ensuring correct disposal of the equipment, you will help to prevent negative consequences for the environment and health that incorrect handling may entail.

For further information on recycling this product, please contact your local authority, your refuse collection company or the company from which you purchased it.

9. CE Declaration of Conformity

This declaration confirms that the products meet the requirements in the following Council Directives and standards:

2004/108/EC	Electromagnetic compatibility (EMC)
2006/95/EC	Low-voltage Directive (LVD)
2009/125/EC	Ecodesign Directive
1253/2014	Ecodesign Regulation
2010/30/EC	Energy Labelling Directive
1254/2014	Energy Labelling Regulation
327/2011	Fan Regulation
2002/95/EC	RoHS Directive
2002/96/EC	WEEE Directive
1907/2006/EC	REACH Regulation

Our products have been tested in accordance with parts of:

2006/42/EC	Machine Directive (Safety)
------------	----------------------------

Producer: FLEXIT AS, Televeien 15, 1870 Ørje, Norway

Type: Nordic CL3 Ventilation Unit

Complies with the following standards:

Safety standard	EN 60335-1:2012 + A11
EMF standard:	EN 62233: 2008
EMC standard:	EN 61000-6-3:2007 + A1:2011 EN 61000-6-1:2007
Ventilation for buildings, components	EN 13142:2013
Ventilation for buildings, performance characteristics	EN 13141-7:2010
Acoustics – Radiated sound	ISO 9614-2:1996
Acoustics – In-duct sound (In-duct method)	ISO 5136:2009

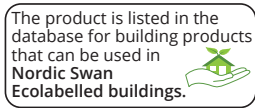
The product is CE-marked: 2019

FLEXIT AS 2019

Knut Skogstad
CEO



Flexit participates in the ECP programme for RAHU.
Check ongoing validity of certificate:
www.eurovent-certification.com



Flexit AS, Televeien 15, 1870 Ørje, Norway
www.flexit.no